

4

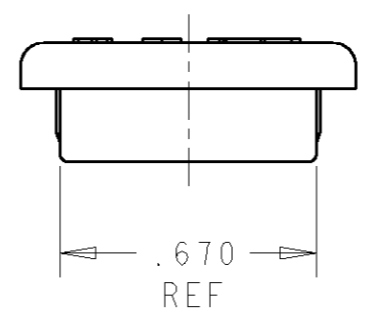
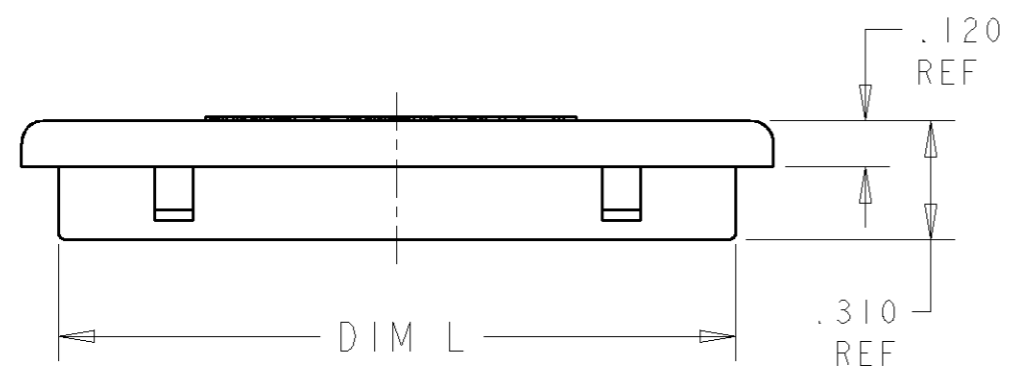
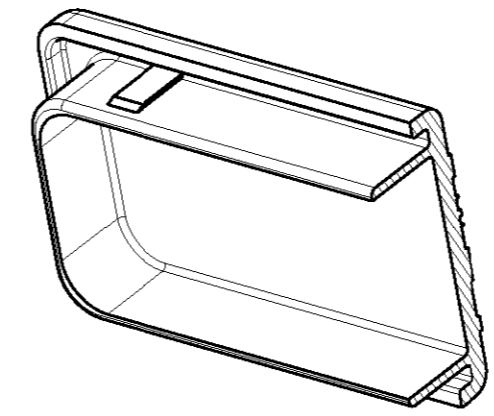
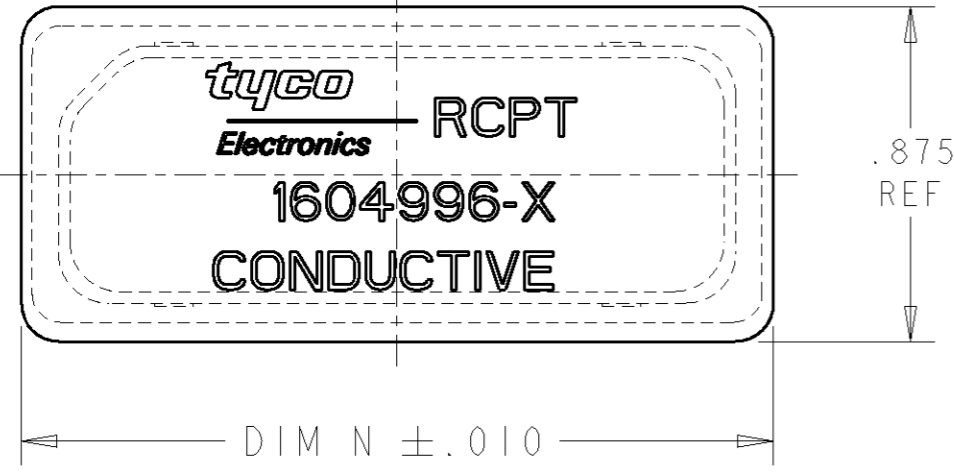
3

2

1

THIS DRAWING IS UNPUBLISHED. RELEASED FOR PUBLICATION 20
 © COPYRIGHT 20 BY TYCO ELECTRONICS CORPORATION. ALL RIGHTS RESERVED.

LOC	DIST	REVISIONS			
P	LTR	DESCRIPTION	DATE	DWN	APVD
	0	RELEASE PER 0H14-0409-04	15JUN2004	BW	WB



DIMENSIONS	USED ON	PART NUMBER
1.769 1.965	6 POSN (1604926 AND 1604927)	1604996-3
1.214 1.410	2 POSN (1604896 AND 1604897)	1604996-2
2.865 3.060	12 POSN (1604798 AND 1604799)	1604996-1
L N±.010		

⚠ MATL: CONDUCTIVE POLYPROPYLENE
 COLOR: BLACK

<small>THIS DRAWING IS A CONTROLLED DOCUMENT FOR TYCO ELECTRONICS CORPORATION IT IS SUBJECT TO CHANGE AND THE CONTROLLING ENGINEERING ORGANIZATION SHOULD BE CONTACTED FOR THE LATEST REVISION.</small>		DWN 15JUN2004 Brent D. Yohn CHR 15JUN2004 W.H. BERNHART APVD 15JUN2004 W.H. BERNHART	tyco Electronics Tyco Electronics Harrisburg, PA 17105-3608
DIMENSIONS: IN 	TOLERANCES UNLESS OTHERWISE SPECIFIED: 0 PLC ±- 1 PLC ±.1 2 PLC ±.01 3 PLC ±.005 4 PLC ±.0020 ANGLES ±1°	PRODUCT SPEC - APPLICATION SPEC - WEIGHT -	NAME COVER, DUST, ESD, RECEPTACLE, BOEING QUADRAX RECTANGULAR
MATERIAL 	FINISH -	SIZE A3 CAGE CODE 00779 DRAWING NO C-1604996	RESTRICTED TO -
CUSTOMER DRAWING		SCALE 2:1	SHEET 1 OF 1 REV 0